



THIS DRAWING IS THE PROPERTY OF
 ENGINEERING CONSULTANTS, P.A. AND
 SHALL NOT BE COPIED OR REPRODUCED
 WITHOUT WRITTEN AUTHORIZATION
 FROM ENGINEERING CONSULTANTS, P.A.

NEW WALKWAY LIGHTING for
CITY OF HUTCHINSON ZOO
 6 EMERSON LOOP EAST HUTCHINSON, KANSAS 67501

GENERAL ELECTRICAL SITE PLAN NOTES

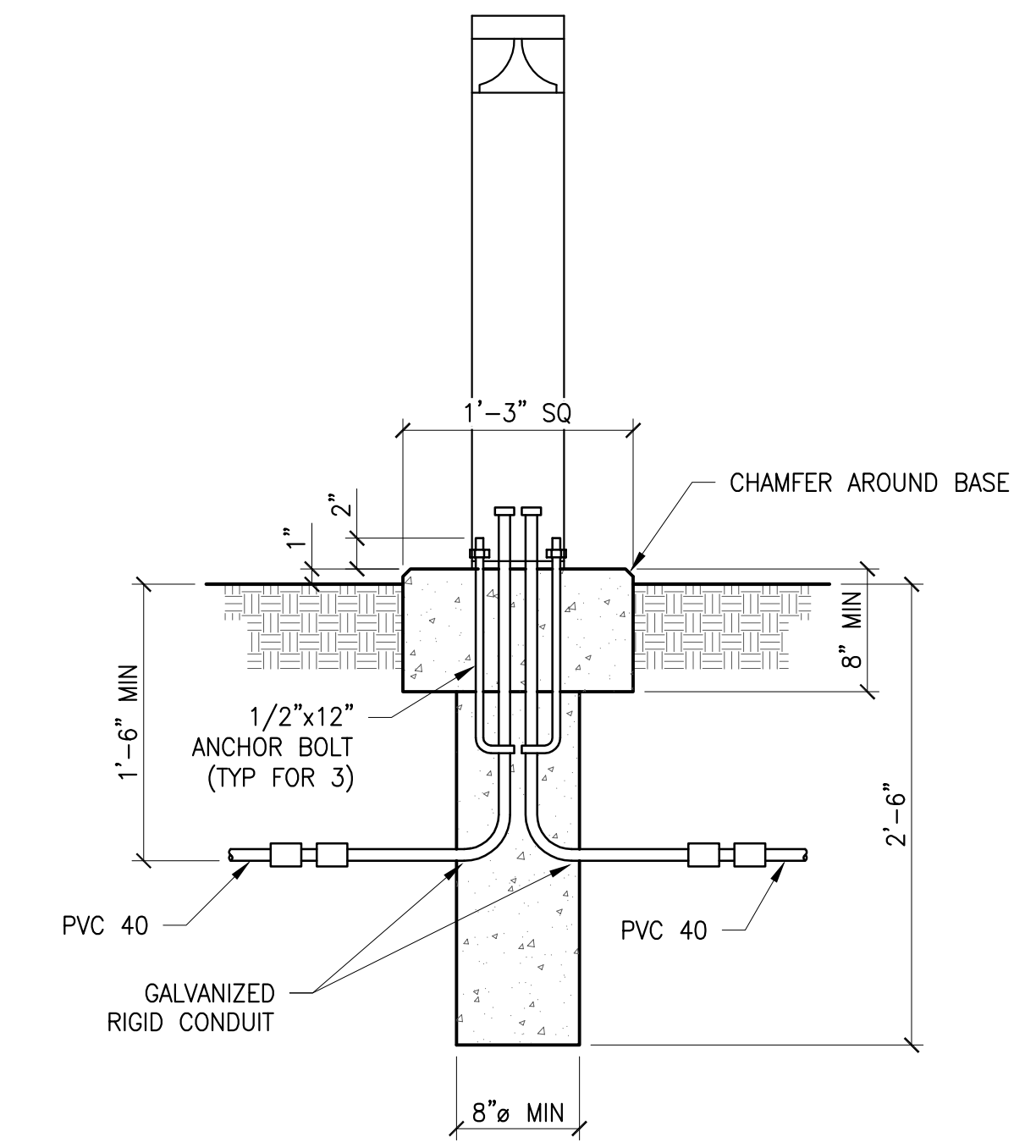
- A. ALL SITE LIGHTING AND POWER IN THIS PROJECT TO BE FED FROM NEW PANEL C, CIRCUITS INDICATED.
- B. ALL SITE LIGHTING CONDUCTORS TO BE MINIMUM #10 AWG IN 1" CONDUIT.
- C. ALL BOLLARDS TO BE MOUNTED ON A CONCRETE BASE BY E.C. THAT IS FLUSH WITH ADJACENT CONCRETE WALK AND IS 15" SQUARE. SEE DETAIL ON THIS SHEET.
- D. ALL BOLLARDS SHOWN ON THIS SHEET ARE TO BE CONTROLLED BY EITHER PHOTOCELL OR TOGGLE SWITCH AS INDICATED. SEE PLAN NOTES 12 & 13 BELOW.
- E. BOLLARD LOCATIONS ARE APPROXIMATE AND NEED TO BE FIELD CONFIRMED WITH OWNER TO DETERMINE THE LOCATION AND WHAT SIDE OF THE SIDEWALK TO LOCATE BOLLARD.

BID INFORMATION

- BASE BID: ALL WORK SHOWN THAT ISN'T INCLUDED IN EITHER ALTERNATE #1 OR #2.
- ALTERNATE #1: ALL WORK FOR BOLLARDS AND RECEPTACLE ON PATHS LEADING TO ZOO ENTRANCE INCLUDING PHOTOCELL AT PANEL C.
- ALTERNATE #2: INSTALLATION OF METER POLE (NOT SHOWN ON PLANS) AT FAR NORTHEAST END OF TRAIN TRACKS WITH 100A, 240/120V, 1 PHASE NEMA 3R PANEL AND (3) WP, GFCI RECEPTABLES ON SEPARATE 20A CIRCUITS. LOADCENTER OR PANEL IS ACCEPTABLE. 16 POLE MINIMUM WITH 100A MAIN BREAKER, 22,000 MINIMUM A.I.C. RATING AND SERVICE-ENTRANCE RATED. DO NOT INCLUDE EVERY COSTS IN ALTERNATE #2.

ELECTRICAL SITE PLAN NOTES

- 1 EXISTING POWER POLE WITH EXISTING POLE-MOUNTED 50 KVA SINGLE PHASE TRANSFORMER.
- 2 EXISTING 400A DIRECT READ METER.
- 3 EXISTING 400A MAIN FUSED DISCONNECT SWITCH.
- 4 EXISTING SQUARE D NO. PANEL A IN BASEMENT OF VISITOR CENTER. REPLACE 25/2 BREAKER AT CIRCUITS 6 & 9 WITH 100/2 BREAKER TO FEED NEW PANEL C. REFEED CONDENSING UNIT THAT WAS FED FROM 25/2 BREAKER IN PANEL A FROM NEW PANEL C.
- 5 PROVIDE NEW 100A, 240/120V, 1 PHASE, NEMA 3R PANEL C MOUNTED ON GALVANIZED ANGLE IRON OR UNI-STRUT RACK. CONFIRM PANEL LOCATION WITH OWNER PRIOR TO INSTALLATION.
- 6 AS PART OF ALTERNATE #1, PROVIDE 3 #10 HOT, 1 #10 NEUTRAL AND 1 #10 GND IN 1" CONDUIT FROM PANEL C FOR 240V BOLLARD LIGHTING CIRCUIT AND 120V RECEPTACLE CIRCUIT. FOR BASE BID INCLUDE 1" CONDUIT STUBBED OUT FROM PANEL C TO THE SOUTHWEST, CAPPED AND MARKED WITH REBAR.
- 7 PROVIDE 2 #10 HOT, 2 #10 NEUTRAL AND 1 #10 GND IN 1" CONDUIT FROM PANEL C FOR 240V BOLLARD LIGHTING CIRCUIT AND 120V RECEPTACLE CIRCUITS.
- 8 PROVIDE THE FOLLOWING RECEPTABLES FED FROM PANEL C EITHER SURFACE-MOUNTED TO PANEL C OR THE SUPPORT RACK: (4) 5-20 GFCI RECEPTABLES, (2) L14-30 RECEPTABLES AND (2) I4-50 RECEPTABLES. 30A RECEPTABLES TO BE FED WITH 3 #10 AND 1 #10 GND IN 3/4" CONDUIT AND 50A RECEPTABLE TO BE FED WITH 3 #6 AND 1 #10 GND IN 3/4" CONDUIT.
- 9 PROVIDE WP, GFCI RECEPTABLE WITH WP WHILE-IN-USE COVER SURFACE-MOUNTED TO FENCE RAILING, ONE ON EITHER SIDE OF FENCE GATE.
- 10 PROVIDE WP, GFCI RECEPTABLE WITH WP WHILE-IN-USE COVER SURFACE-MOUNTED TO BUILDING AT 36" ABOVE GRADE.
- 11 TYPICAL FOR 5 TYPE L3 LIGHT FIXTURES, SURFACE MOUNT ON UNDERSIDE OF INSIDE RAILING OF BRIDGE AT LOCATIONS FIELD CONFIRMED WITH OWNER.
- 12 PROVIDE DOUBLE POLE 240V TOGGLE SWITCH IN WEATHERPROOF WHILE-IN-USE COVER AT PANEL C FOR CONTROL OF BOLLARDS & BRIDGE LIGHTS DESIGNATED TO BE CONTROLLED BY SWITCH "a".
- 13 AS PART OF ALTERNATE #1, PROVIDE TORK PHOTOCELL #2104 OR EQUAL FOR THE CONTROL OF BOLLARDS DESIGNATED TO BE SWITCHED BY "pc". MOUNT PHOTOCELL ADJACENT TO PANEL C AND FACE TO THE NORTH. ROUTE PANEL C LIGHTING CIRCUITS 2 & 4 THROUGH PHOTOCELL.
- 14 PROVIDE 1" CONDUIT STUBBED FROM LAST BOLLARD TO LOCATION FIELD DETERMINED WITH OWNER AND GAP & MARK WITH REBAR FOR FUTURE EXTENSION TO ADDITIONAL SITE OR WALKWAY LIGHTING.
- 15 TYPICAL FOR TYPE L2 BOLLARDS: PROVIDE GFCI WEATHERPROOF RECEPTABLE IN BOLLARD GFCI RECEPTABLE BOX ON SIDE OPPOSITE WALKING PATH AT 18" ABOVE GRADE. CONNECT RECEPTABLE TO CIRCUIT INDICATED.
- 16 EXISTING-TO-REMAIN CONDENSING UNIT THAT WAS FED FROM 25/2 BREAKER IN PANEL A TO BE RE-FED FROM PANEL C. FURTHER SOUTHEAST CONDENSING UNIT IS BELIEVED TO BE THE UNIT TO BE RE-FED.
- 17 CAUTION!!! LOCATE EXISTING UNDERGROUND ELECTRICAL SERVICE LINE AND INSTALL BOLLARD EAST OF LINE.



BASE DETAIL FOR BOLLARDS

Revision Schedule	Date
No	Description

DATE:	08/28/20
JOB No:	20-015
DESIGN BY:	LEE
DRAWN BY:	LEE
CHECK BY:	LEE

HUTCHINSON ZOO WALKWAY LIGHTING	
ELECTRICAL SITE PLAN	
E2	3

9/27/2020 1:29:23 PM C:\PROJECTS\HUTCHINSON_ZOO\ELECTRICAL\HUTCHINSON_ZOO_ELECTRICAL\UPGRADE\ELECTRICAL_DRAWINGS\ELECTRICAL_SITE_PLAN.DWG