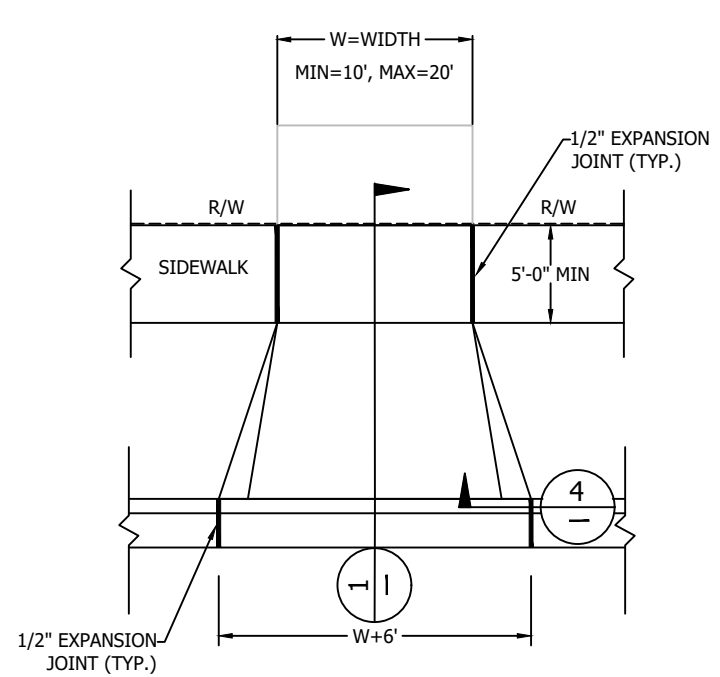
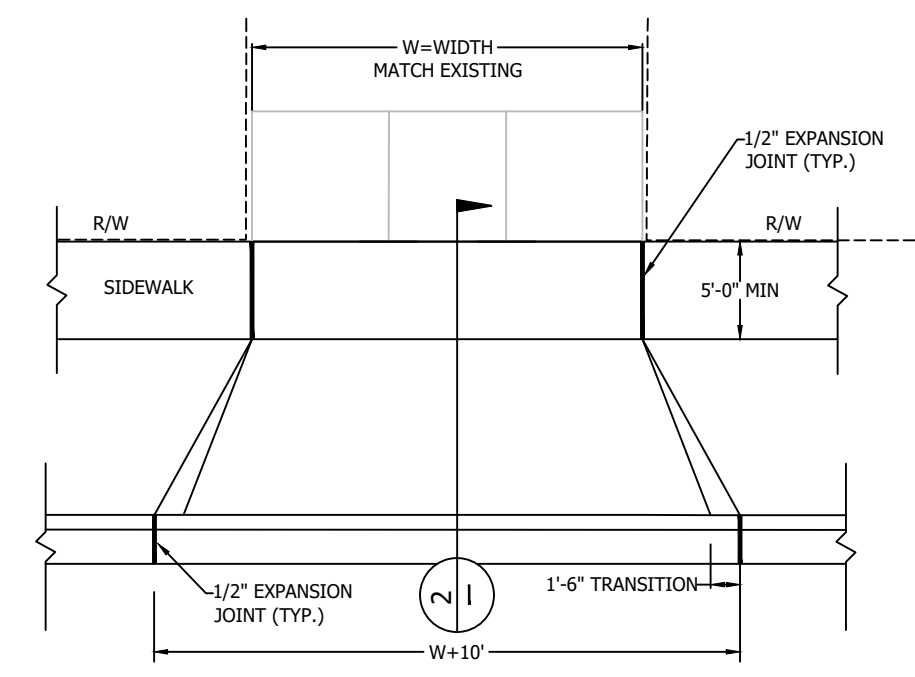


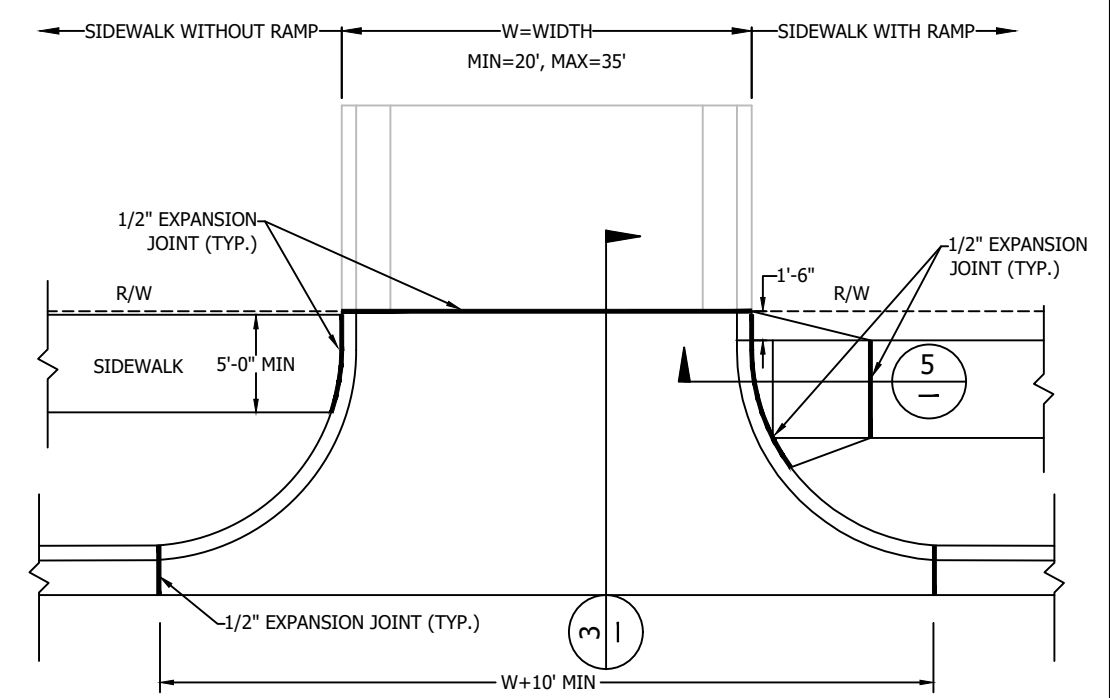
A B C D E F G H I J K L



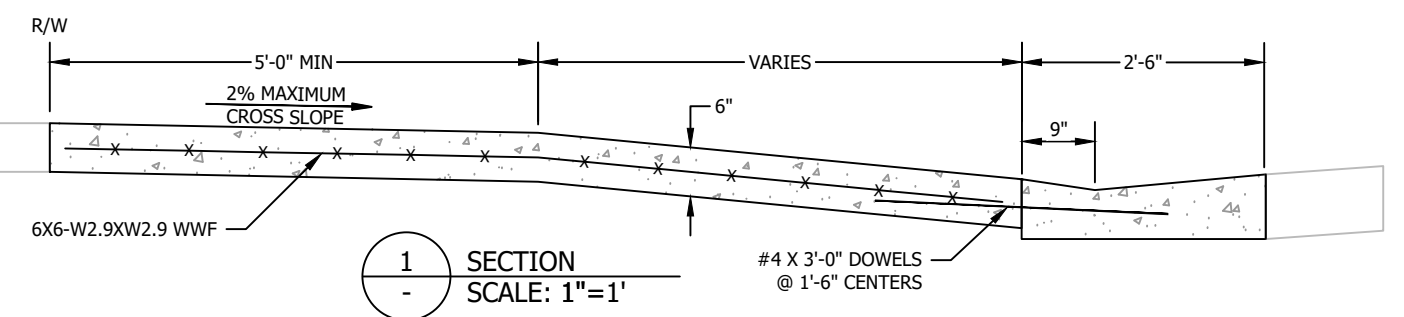
**A RESIDENTIAL ENTRANCE**  
SCALE: 1"=5'



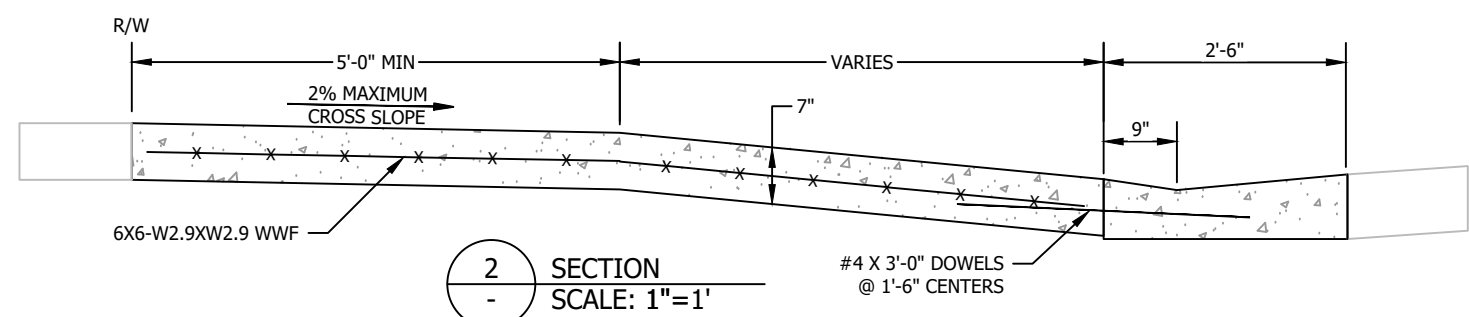
**B ALLEY ENTRANCE**  
SCALE: 1"=5'



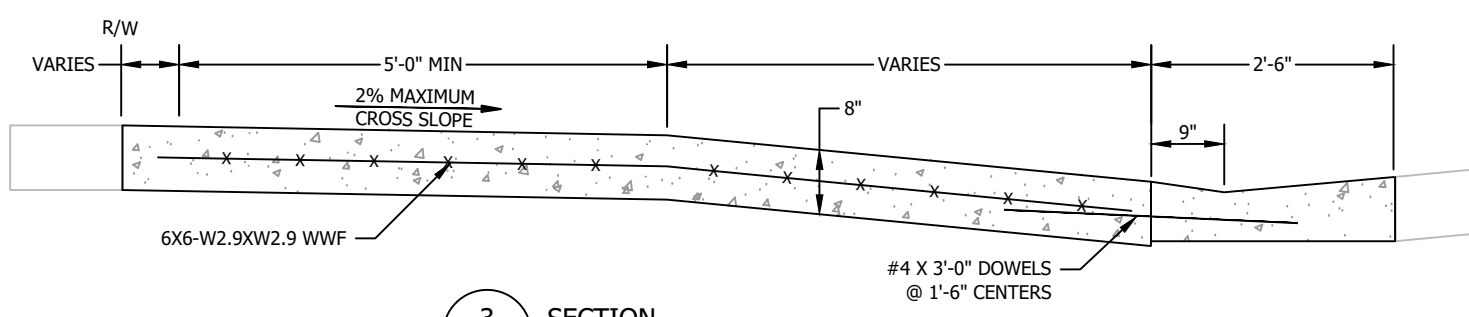
**C COMMERCIAL ENTRANCE**  
SCALE: 1"=5'



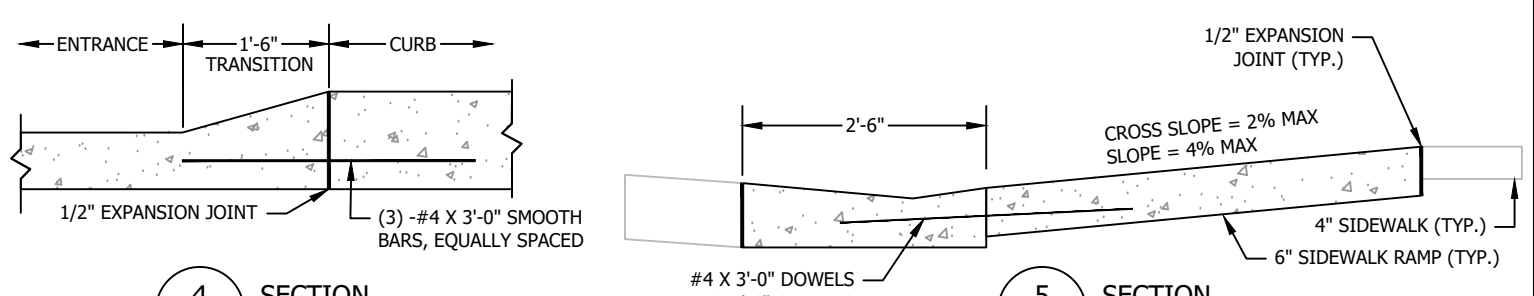
**1 SECTION**  
SCALE: 1"=1'



**2 SECTION**  
SCALE: 1"=1'



**3 SECTION**  
SCALE: 1"=1'



**4 SECTION**  
SCALE: 1"=1'

**5 SECTION**  
SCALE: 1"=1'

SCALE BAR(S)

SCALE 1"=1'  
1' 0 1'

SCALE 1"=5'  
5' 0 5'

SCALE BAR IS FULL SIZE (22x34)

**CITY OF HUTCHINSON**  
ENGINEERING DEPARTMENT

DIRECTOR OF ENGINEERING  
JEFFREY S. PETERSON, P.E.

NO.	DATE	REVISION	BY	APP'D

**CONCRETE ENTRANCES  
STANDARD DETAILS**

STR-102

DRAWN BY: GTD

CHECK BY: JL

SHEET#: